

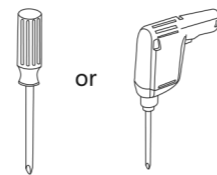
Specifications

Max. Static Load	187 lbs (85kg)
Max. Speed	1"/s
Input Voltage	100 - 240 V
Min. Height	28" (710 mm)
Max. Height	47.6" (1210 mm)
Desktop Size	39.3" - 63" (1000 - 1600 mm) in width and 19.7" - 31.5" (500 - 800 mm) in depth
Duty Cycle	10% (Working 2 minutes then stop 18 minutes)
Working Temperature	32° - 104° F

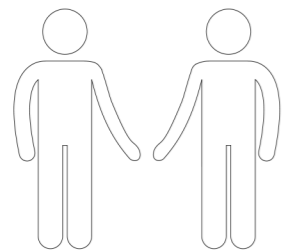
Assembly Notes



Installation need be done on a carpet to prevent scratches.



Installation will require a Phillips screwdriver or pistol drill.

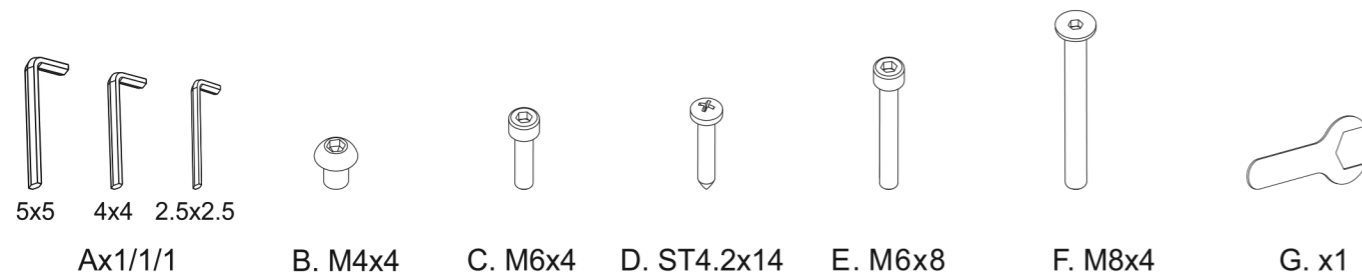


Installation must be done by at least two people.

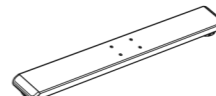
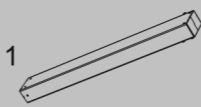
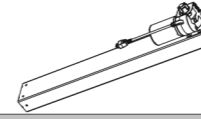
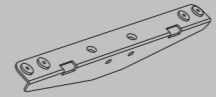

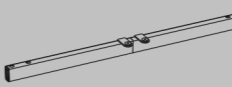
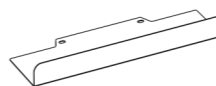
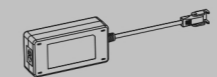
Product List

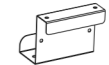
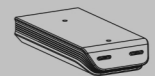

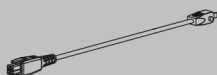
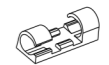
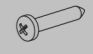
Accessory Package

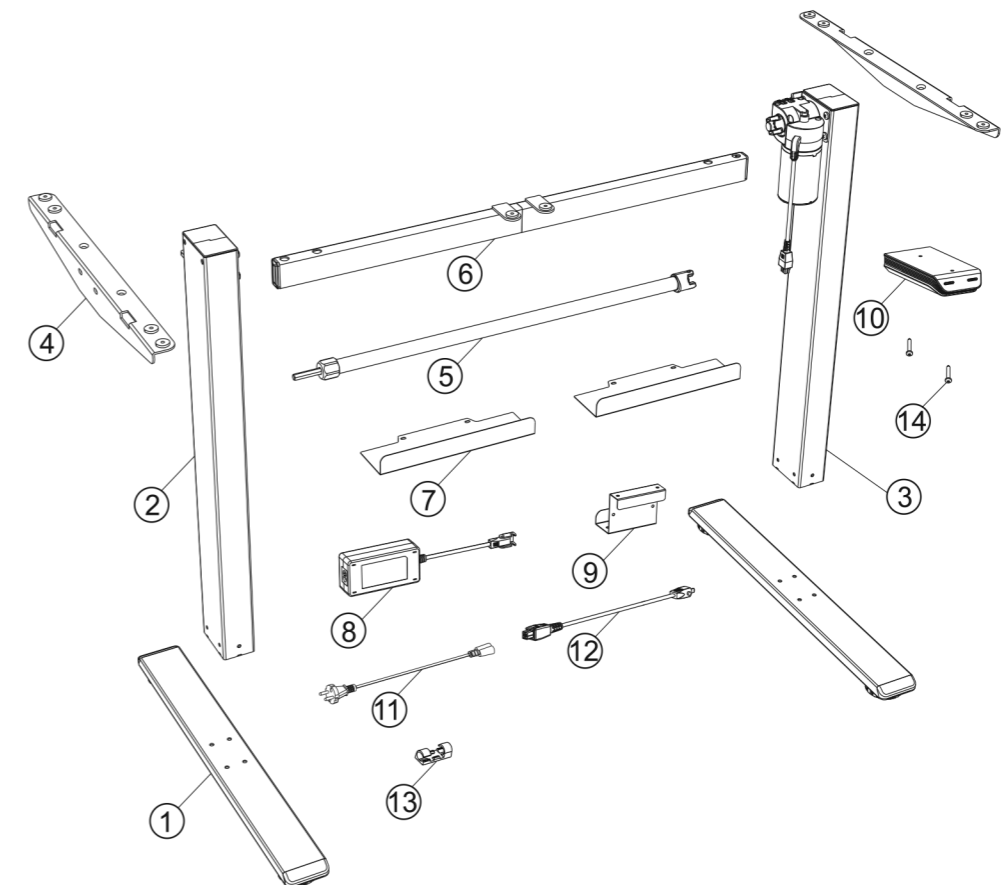
Figures shown are for reference only. Please contact customer service if there are any accessory or tools missing.



Parts Included

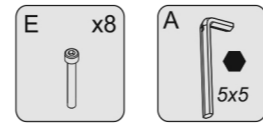
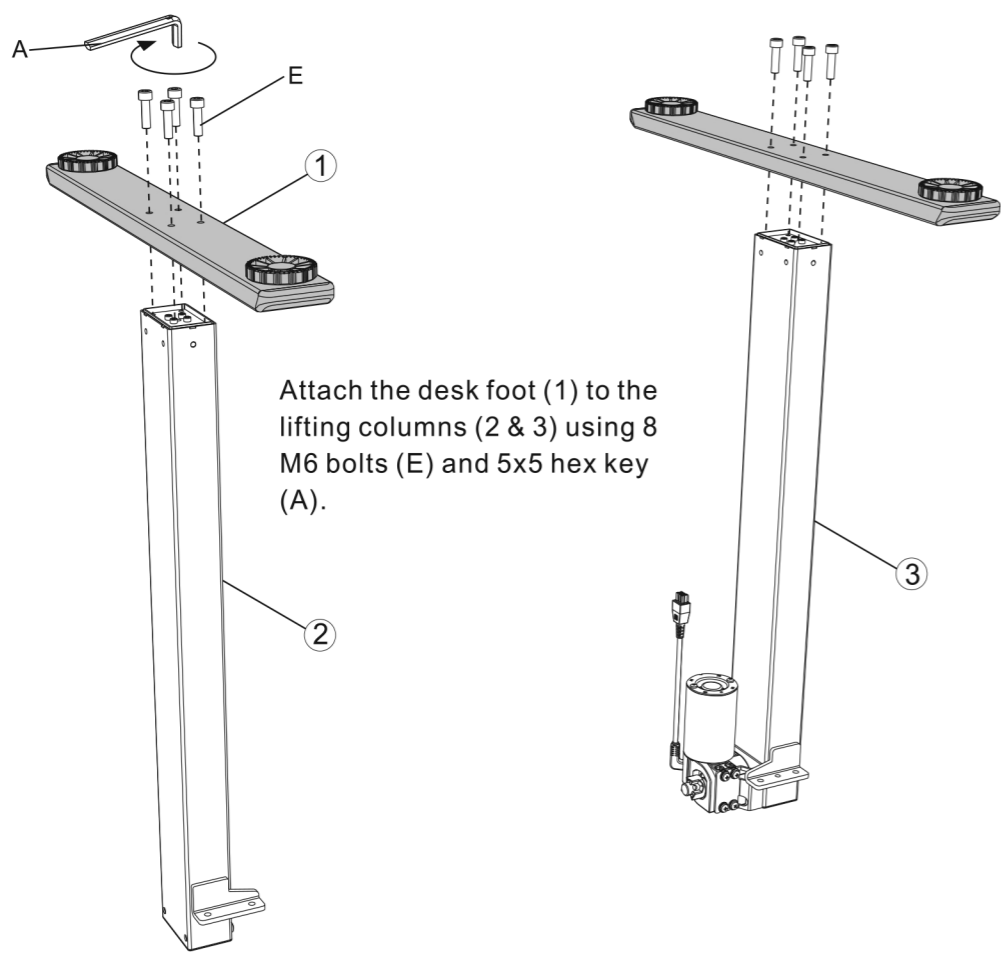
No.	Part
①	Desk Foot x 2 
②	Lifting Column (Left) x 1 
③	Lifting Column with Motor (Right) x 1 
④	Support Plate x 2 
⑤	Transmission Rod x 1 
⑥	Crossbeam x 1 
⑦	Baffle x 2 
⑧	Adapter x 1 

No.	Part
⑨	Adapter Holder x 1 
⑩	Keypad x 1 
⑪	Power Cord x 1 
⑫	Patch Cord x 1 
⑬	Cable Tie x 4 
⑭	Screw of Keypad (ST4.2) x 2 



Assembly Steps

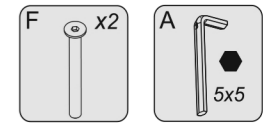
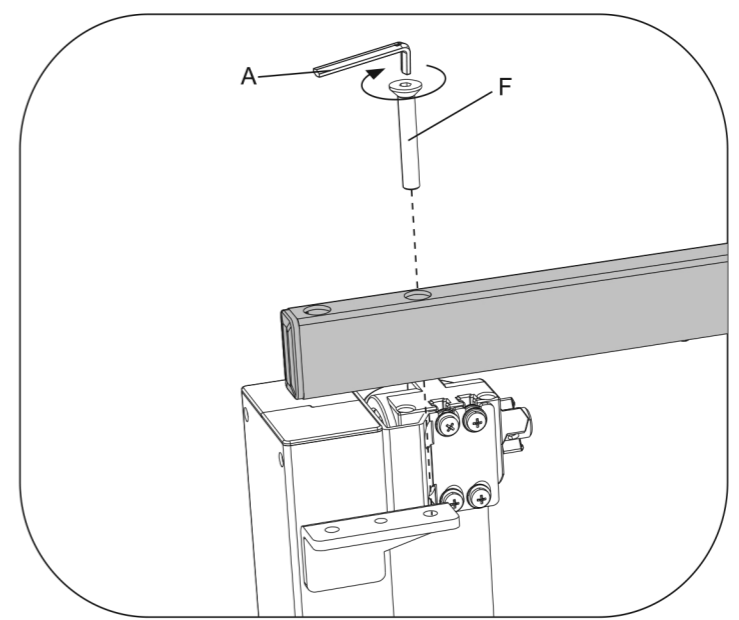
Step 1: Install the Desk Feet



Attach the desk foot (1) to the lifting columns (2 & 3) using 8 M6 bolts (E) and 5x5 hex key (A).

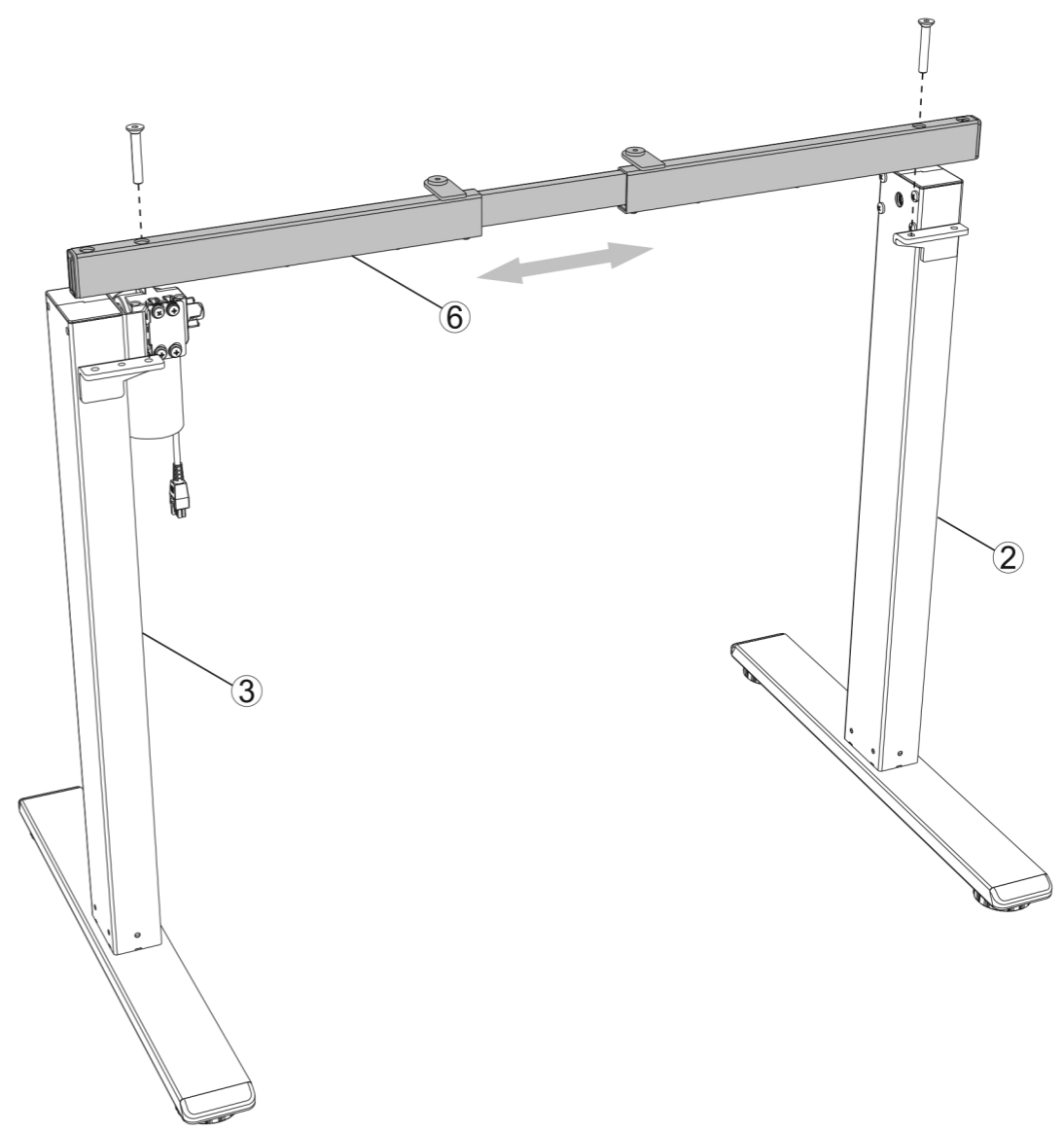
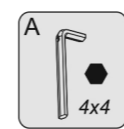
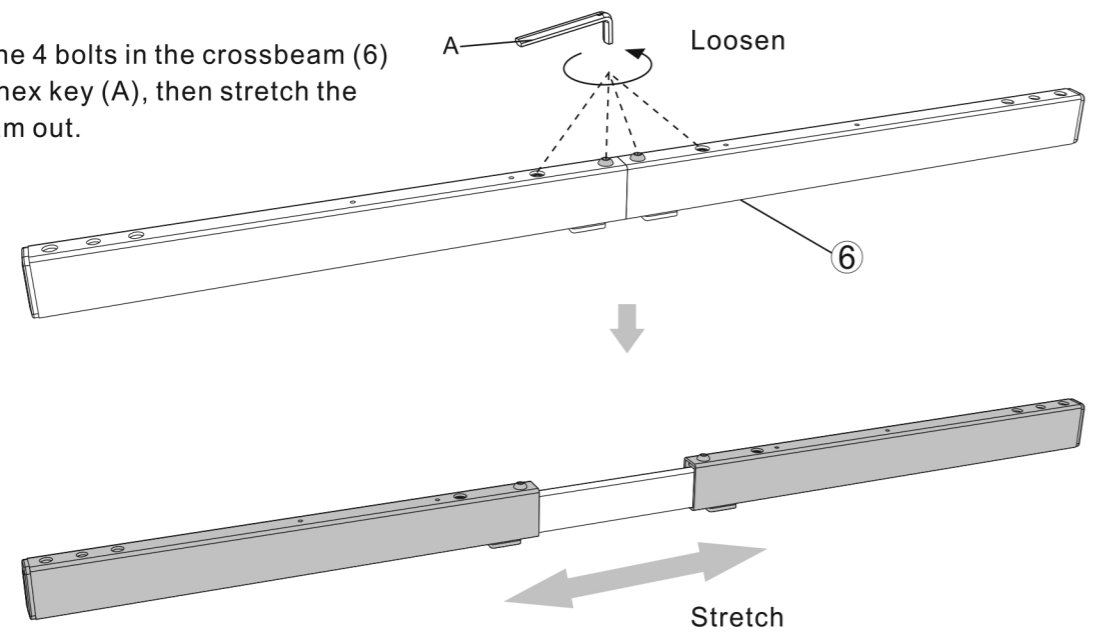
Step 3: Install the Crossbeam

Attach the crossbeam to the lifting columns (2 & 3) with the M8 bolts (F) and tighten them down with the 5x5 hex key (A).



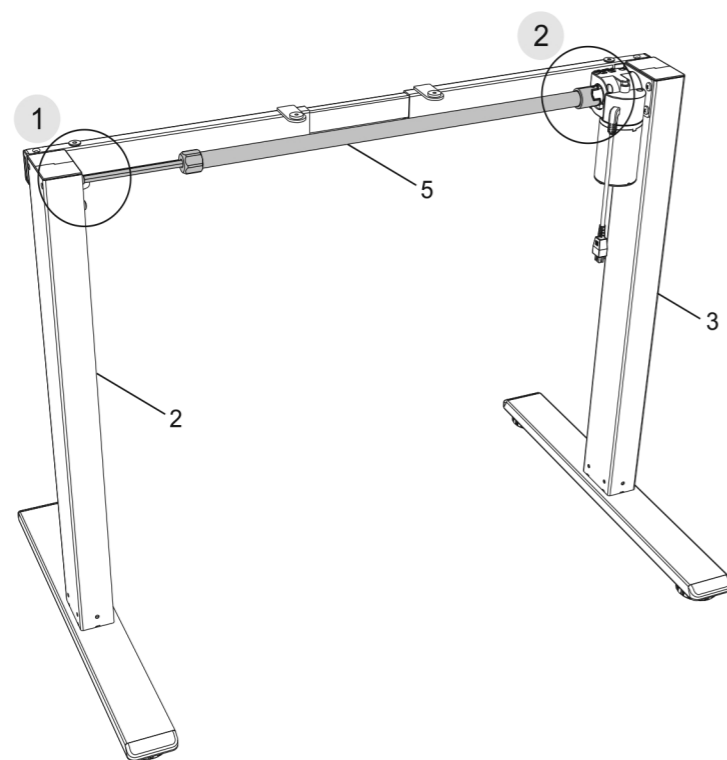
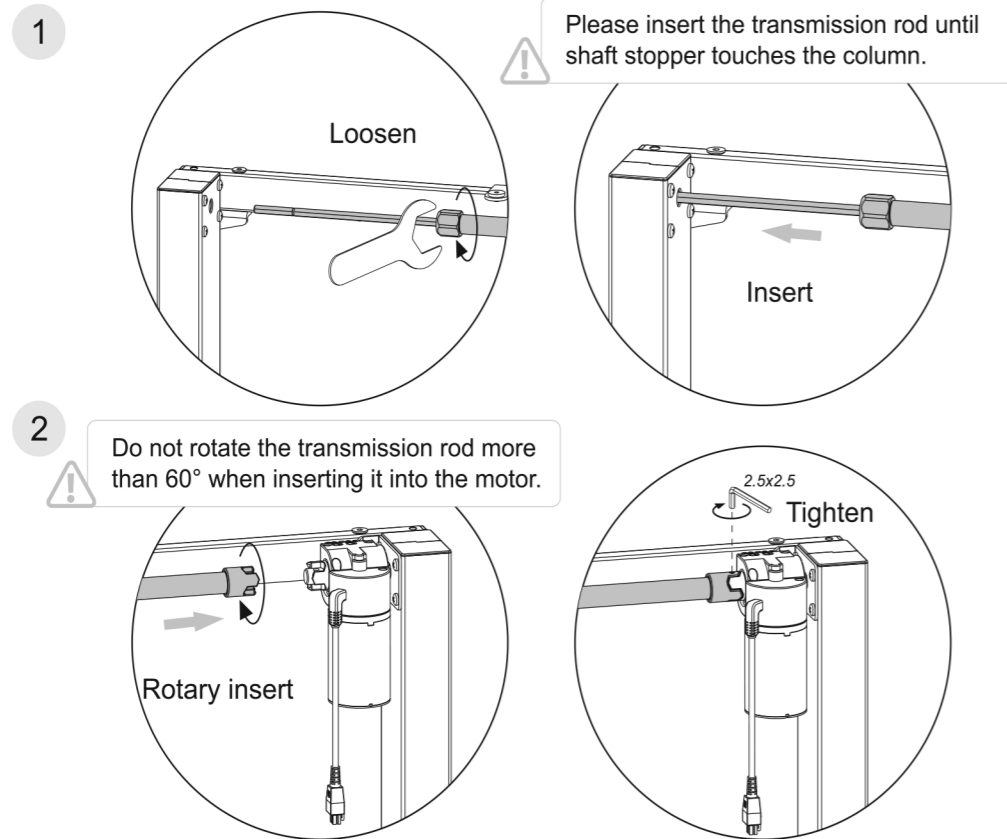
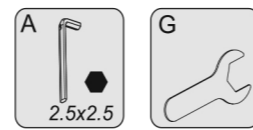
Step 2: Stretch the Crossbeam

Loosen the 4 bolts in the crossbeam (6) with 4x4 hex key (A), then stretch the crossbeam out.



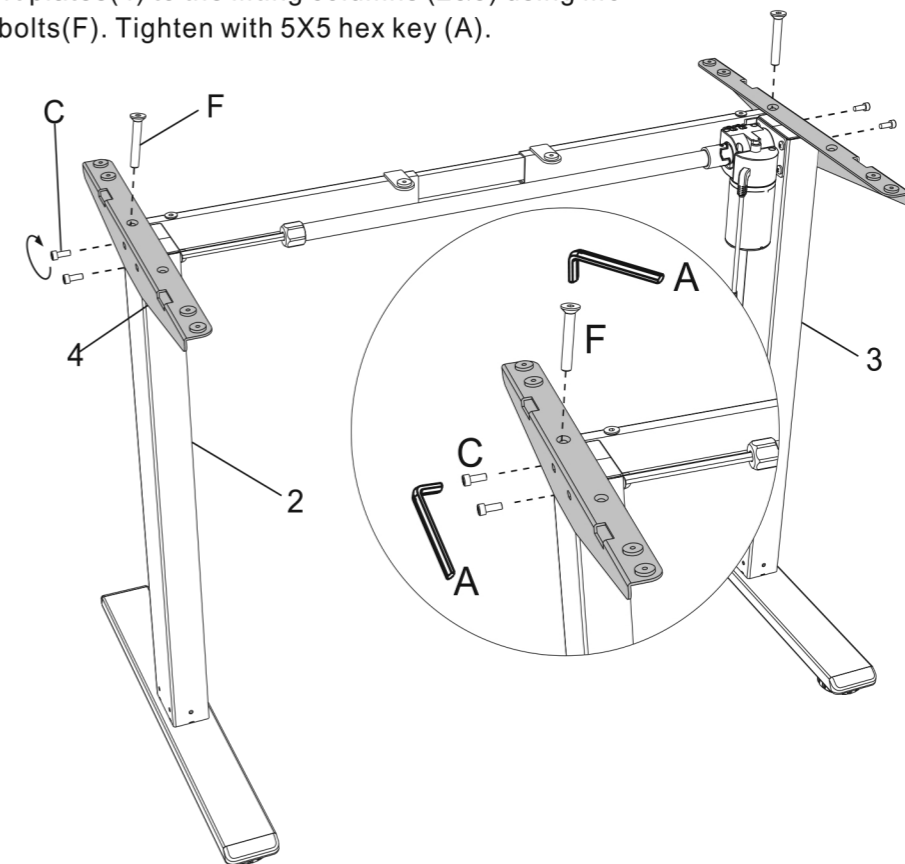
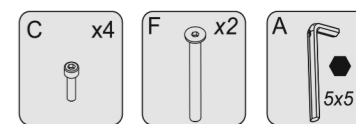
Step 4: Install the Transmission rod

To install the transmission rod (5), first slot it into lifting column (2) and loosen the hex bolt (Figure. 1). Extend the transmission rod and slot it into the motor on lifting column (3), then tighten it down with the included 2.5x2.5 hex key (A) (Figure. 2)



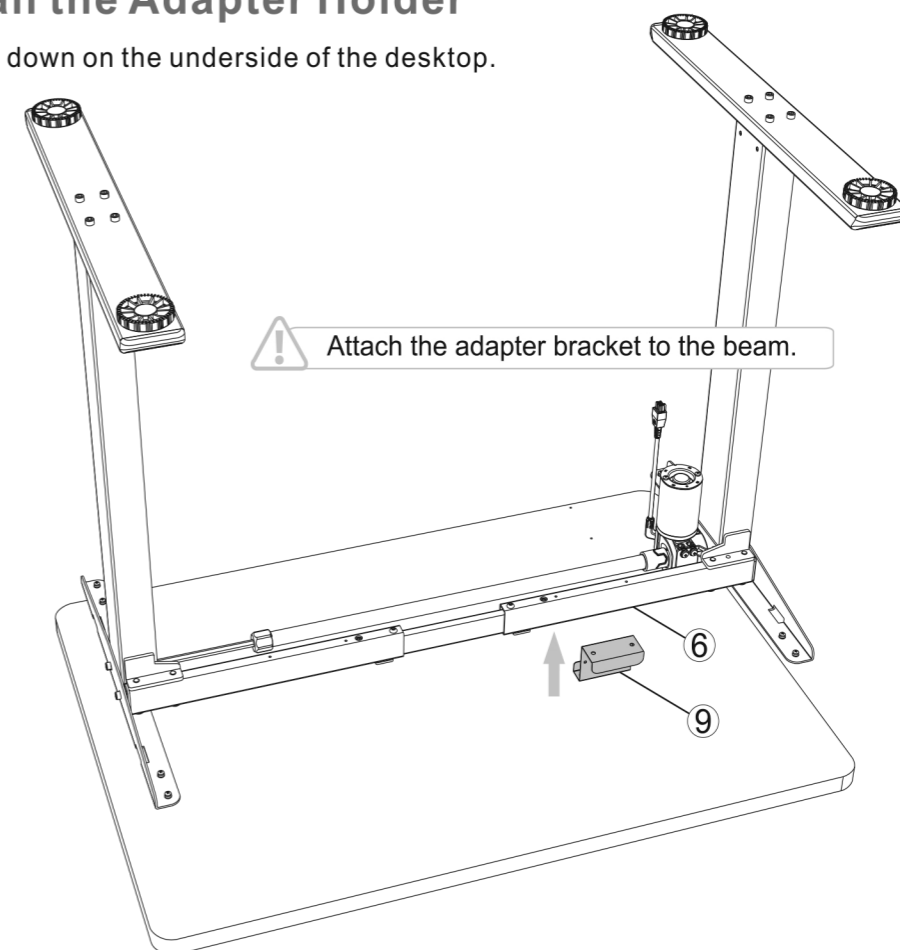
Step 5: Install the Support Plates

Attach the support plates(4) to the lifting columns (2&3) using M6 bolts(C) and M8 bolts(F). Tighten with 5X5 hex key (A).



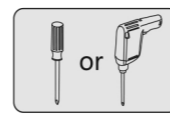
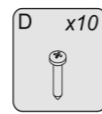
Step 6: Install the Adapter Holder

Put the frame upside down on the underside of the desktop.



Step 7: Install the Desktop

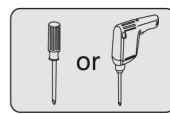
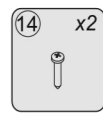
Adjust the length of transmission rod and crossbeam, carefully line up the frame to match the pre-drilled holes. Attach the frame to the desktop using ST4.2 screws (D) and tighten with drill.



Prepare by Customer

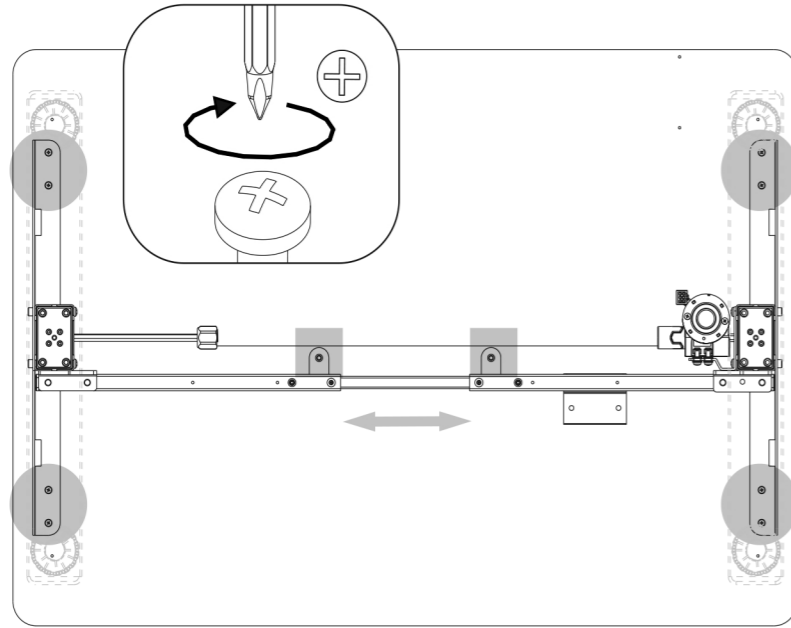
Step 9: Install the Keypad

Install the keypad (10) with ST4.2 screw (14).



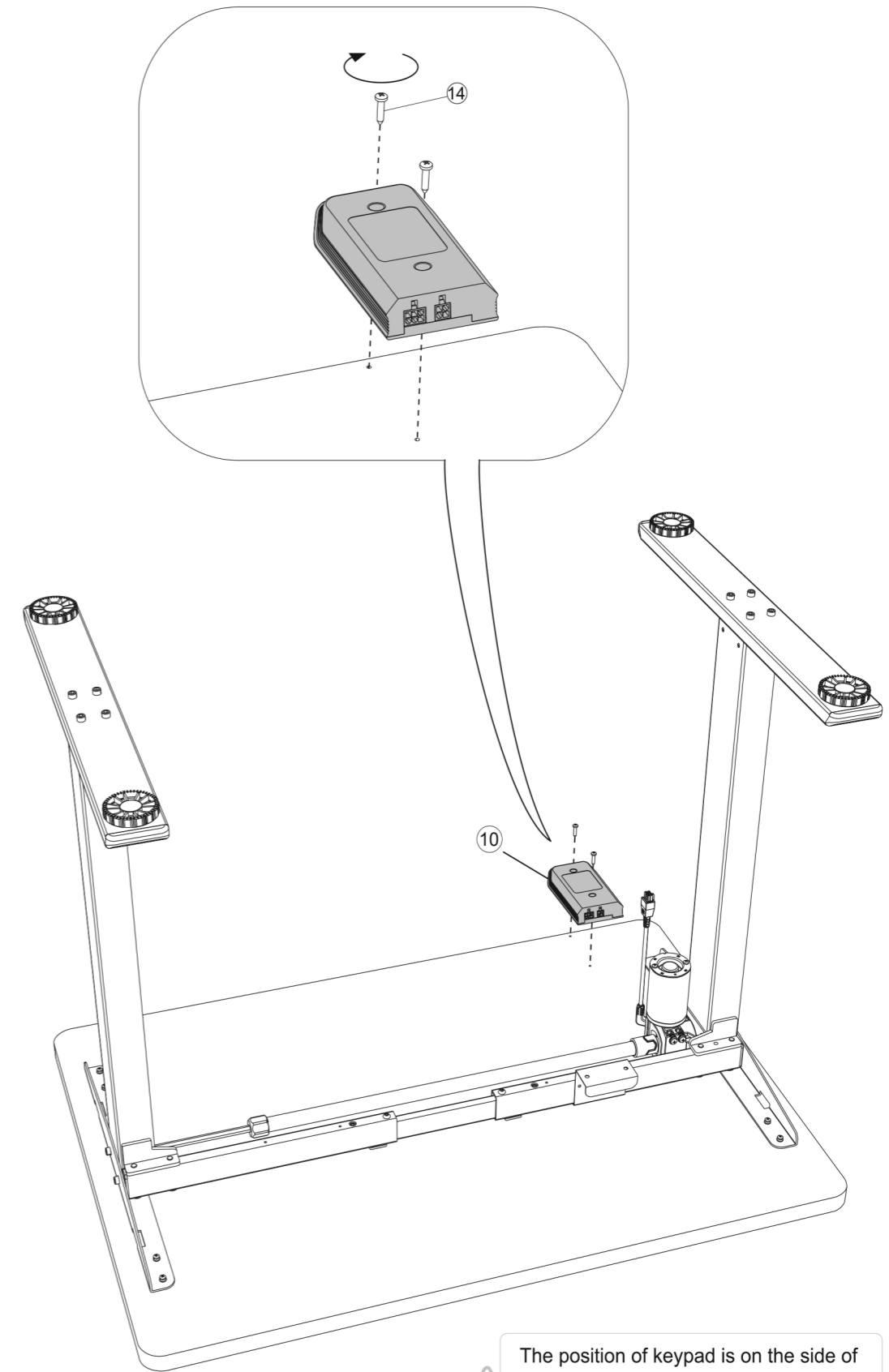
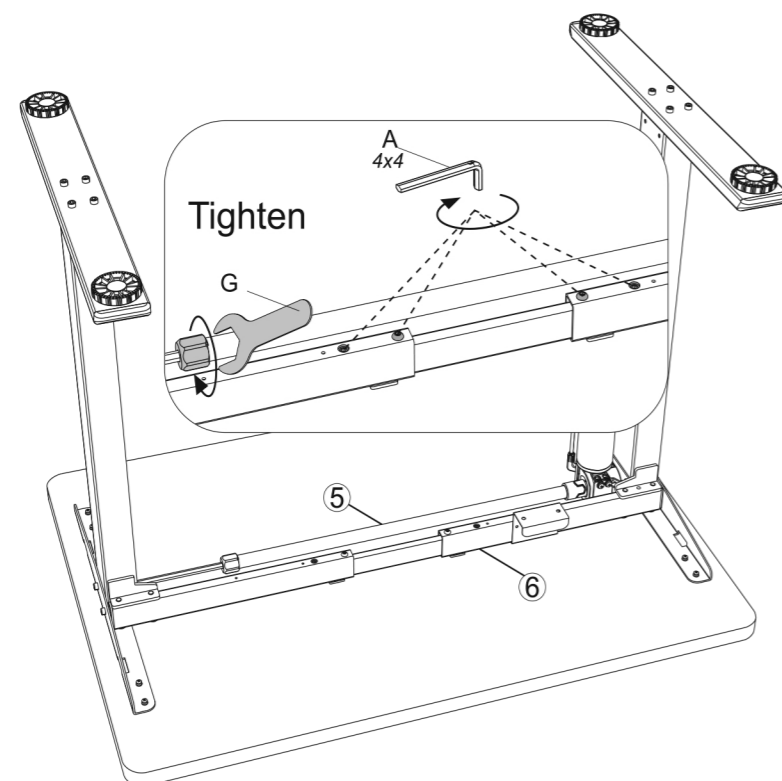
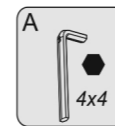
Prepare by Customer

Install the screws in the following sequence: ● ➔ ■



Step 8: Tighten the Crossbeam and Transmission Rod

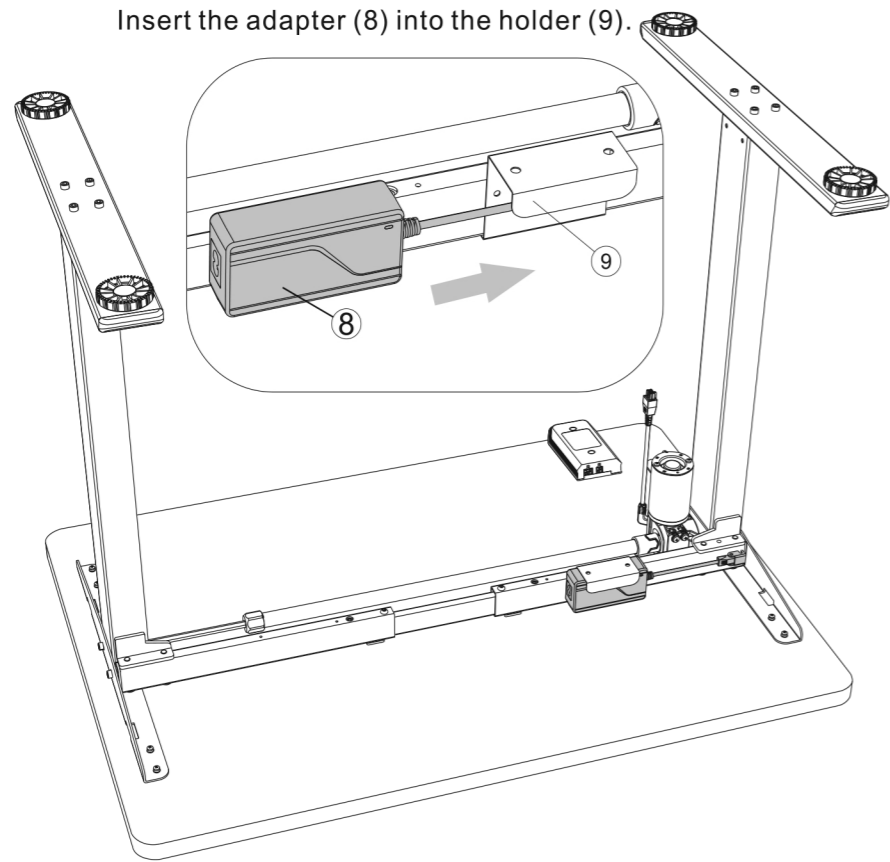
Tighten down the 4 bolts in the crossbeam with the 4x4 hex key (A), and the hex bolt in the middle of the transmission rod with the wrench (G).



⚠ The position of keypad is on the side of the lifting column with the motor.

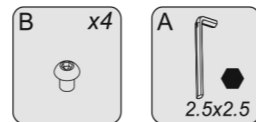
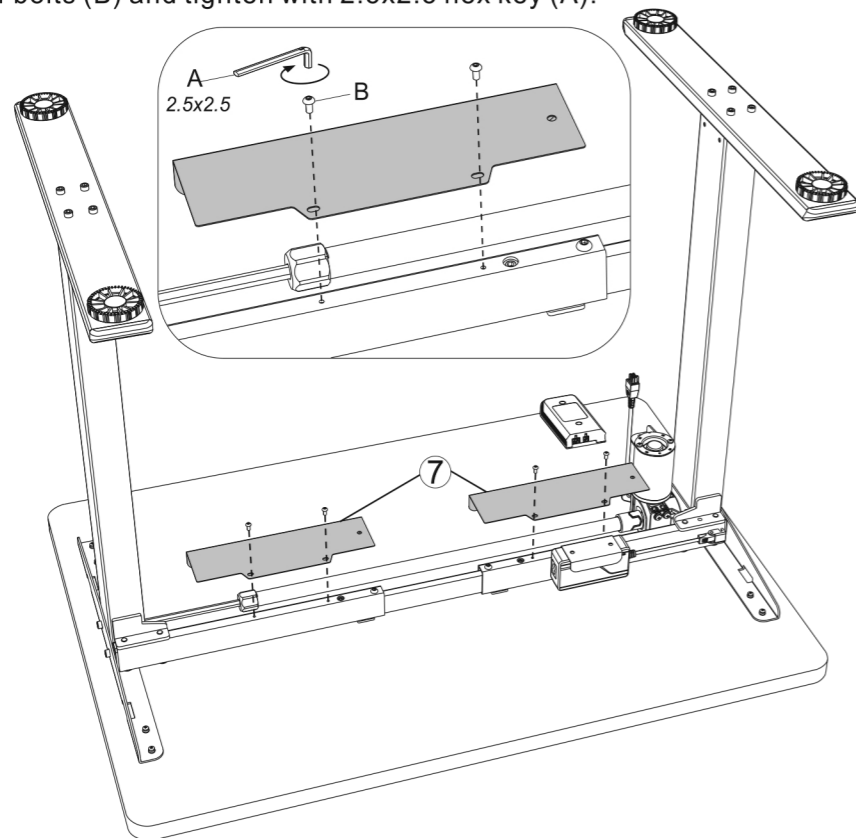
Step 10: Install the Adapter

Insert the adapter (8) into the holder (9).



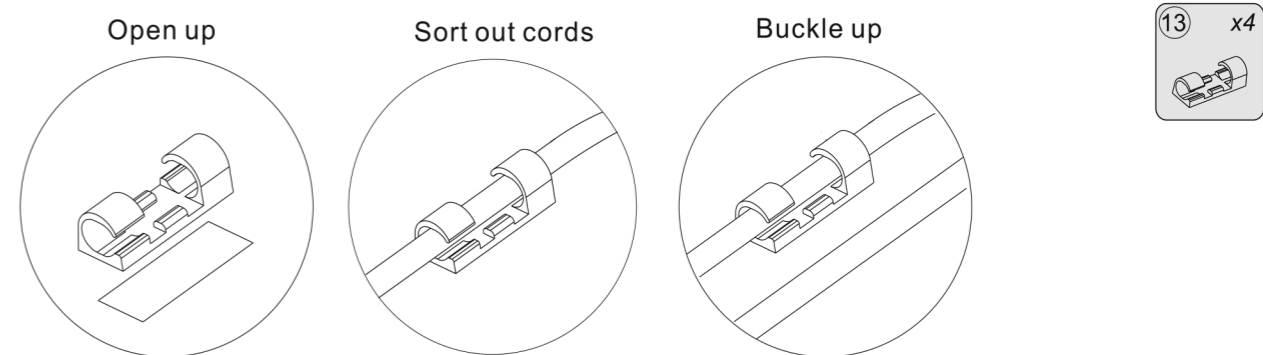
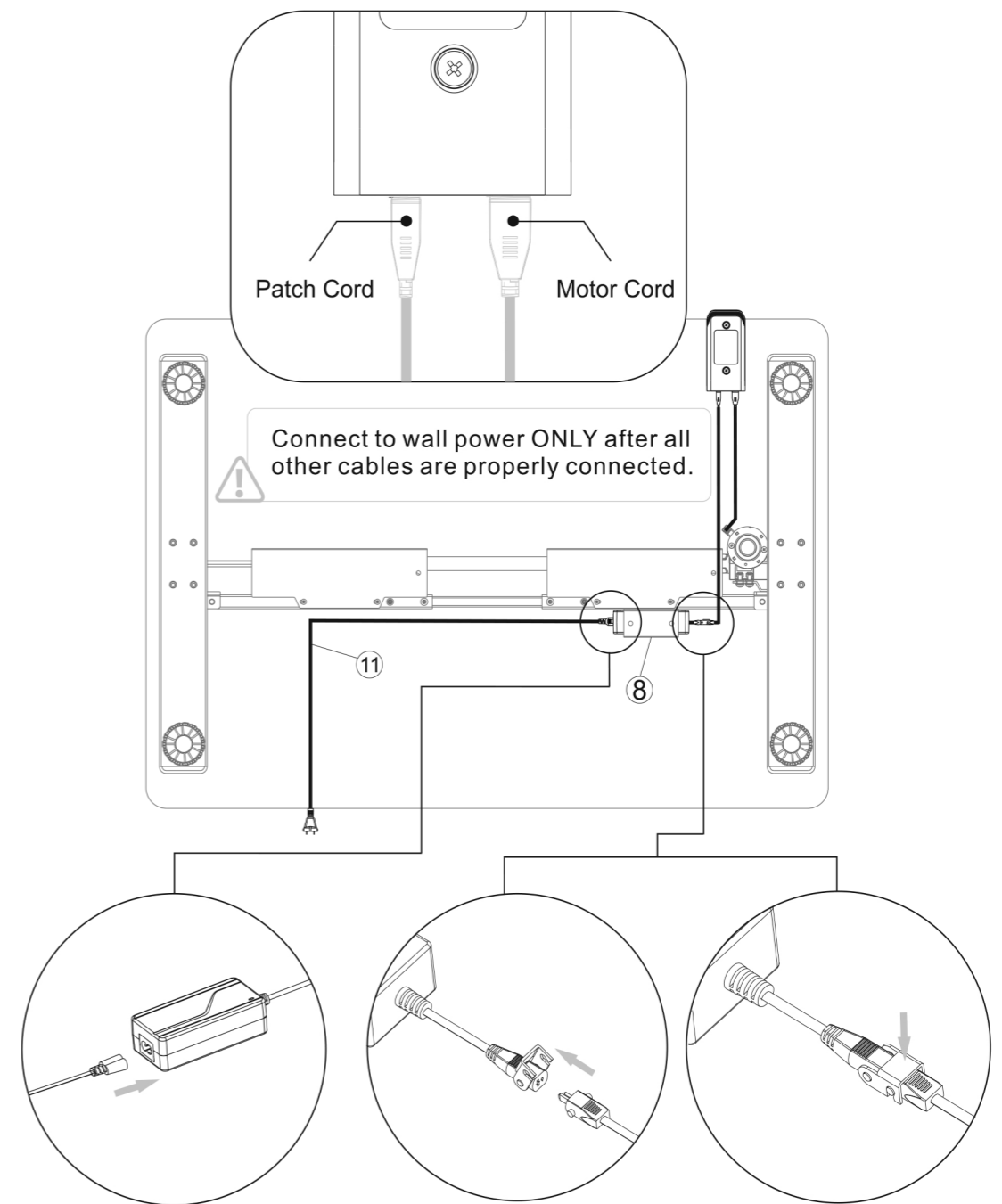
Step 11: Install the Baffle

Attach the baffle (7) to the crossbeam using M4 bolts (B) and tighten with 2.5x2.5 hex key (A).



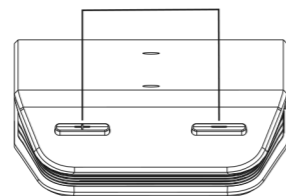
Step 12: Install and Sort out Power Cord

Connect the power cord (11) to the adapter (8) as shown on the picture.



The cable tie (13) can be used to fasten the cables to the desktop and keep the cables organized.

UP and DOWN buttons



Fast Charging Features:

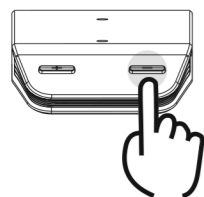
Safety: Built-in over-temperature protection, over-current protection, short-circuit protection, and output interface current-limiting protection to ensure safe operation of the product;

Compatibility: The product is compatible with mainstream smartphones and notebooks on the market and can quickly charge the device.

Output Parameters:

- Single USB Type-C port output: MAX 45W, 5V=3A, 9V=3A, 12V=3A, 15V=3A, 20V=2.25A;
- Single USB Type-A port output: MAX 27W, 5V=2A, 9V=2A, 12V=1.5A, 15V=1.8A, 20V=0.9A, Compatible with Xiaomi CHARGE TURBO, Huawei FCP/SCP, Samsung AFC protocol.
- When both Type-C and Type-A are connected to the device, the output voltage drops to 5V to power the device, MAX 22.5W.
- Charging function will be paused while adjusting desk height and resume charging once the desk movement stops.

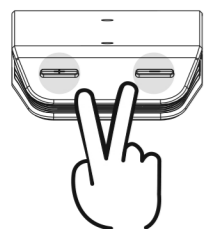
Reset Function:



- When the display screen shows "rst", the desk enters the reset state. At this time, press and hold the "-" key until the desk reaches its lowest height and rebounds a little to stop. The display now shows the lowest height, release the "-" key, reset process finished.
- At the lowest position, press and hold the "-" key for 3 seconds; the display will show "rst". Repeat step a to complete the reset.

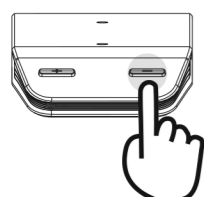
- Anti-collision function:** The desk will stop automatically when an obstruction is detected while the desk height adjustment is in motion.

Adjust the Sensitivity of Anti-collision:



- Keep pressing "+" and "-" button at the same time for 3 seconds to switch the sensitivity. One operation to switch to one gear, a total of 4 gears (R-1, R-2, R-3);
- "R-1", low sensitivity;
 - "R-2", middle sensitivity;
 - "R-3", high sensitivity;
 - "R-4", switch off the anti-collision function.
- (Before switching off the function please make sure there aren't any object under the desk to prevent potential damage.)

Troubleshooting:



- When the error code E01 or E02 occurs, please retry after more than 18 mins.
- When other error codes occur and the "-" button doesn't work, please confirm the cable is not damaged and is well connected and then cut off the power for more than 10 seconds. Reconnect to the power and LED display shows "rst", then start the reset process by pressing and holding the "-" button.
- If our troubleshooting tips don't yield any success, please contact the customer service.



The following tips will help you identify and correct common issues. If you encounter an issue not listed in the table below, or if you follow the instructions below and the issue is still not resolved, please contact your supplier. All such anomalies or errors can only be investigated and corrected by the manufacturer or specially trained personnel.

Problem	Solution
No action when you press "up" or "down" button	Check all cables connected well;
Slow Lifting Speed	Check if the load weighs more than 187 lbs;
The work surface height keeps sliding down	
The desk experiences a lot of automatic resets	
The desk goes down but can't go up, or it goes up but can't go down	Reset;
The desk does not extend fully to the maximum and minimum heights	
The desk cannot be lifted	
Overwork (Duty cycle: max 2min on/18min off)	Suspend it for 18 minutes before connecting power again;



This product cannot be disposed of as household waste. To prevent damage to the environment, this product should be recycled. Please use the relevant recycling systems available to you or contract the distributor or manufacturer for recycling assistance.



1. Power supply: AC100V-240V, 50/60Hz
2. Service Environment: 32-104°F
3. Unplug the power plug before cleaning, and wipe the dust on the surface with a slightly wet dishcloth when cleaning. Be careful to not let the drops into the internal parts, or into the loose connector.
4. The electric box contains electronic components, metals, plastics, wires, etc. Ensure you dispose of it in accordance with each country's environmental legislation. Do not dispose of them with general household waste.
5. Check carefully to ensure correct and complete assembly before using.
6. Be familiar with all functions and program settings of the product before first use.
7. Children are forbidden to play on the product because of unforeseen hazards. Therefore, the manufacturers will not be liable for any accident caused by this improper action.
8. The slight noise caused by the V-Ribbed belt or brake system within the structure will not have any effect on the use of the equipment.
9. Corrosive or abrasive materials SHOULD NOT be used to clean the equipment. Must ensure that the cleaner used will not pollute the environment.
10. This appliance can be used by children aged 8 years and above. It can also be used by persons with reduced physical, sensory or mental capabilities or lack of experience and knowledge. However, this is on the condition that they're given proper supervision or instructions concerning the use of this appliance in a safe way and understand the hazards involved. Children shall not play with the appliance.
11. Cleaning and user maintenance SHALL NOT be handled by children without supervision.
12. If the supply cord is damaged, it must be replaced by the manufacturer, its service agent, or a similarly qualified person in order to avoid a hazard.
13. Please make sure there are no hazardous sources in your operating environment. e.g., do not litter the tools around. Always be careful to dispose of the packaging materials in order to avoid any possible danger, e.g. plastic bags are a choking hazard to children.
14. Keep the original package of the equipment if necessary in case of future use in transportation.